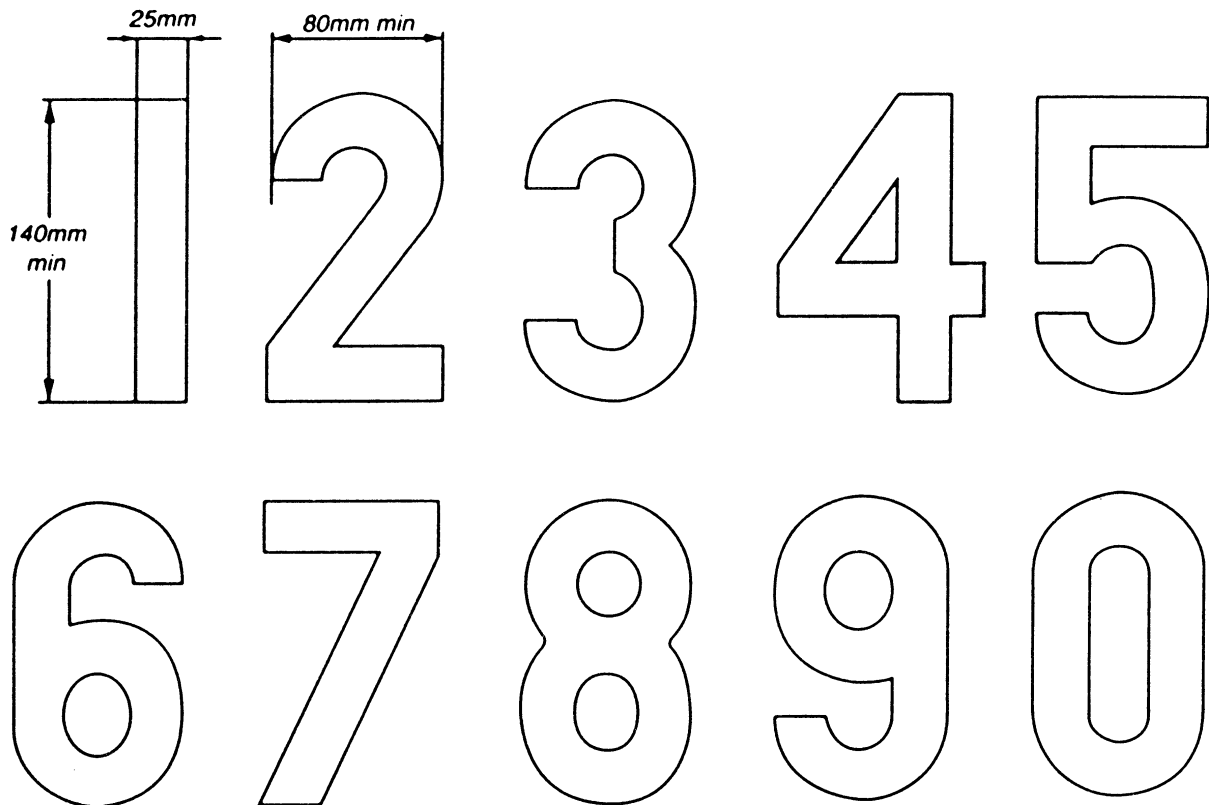
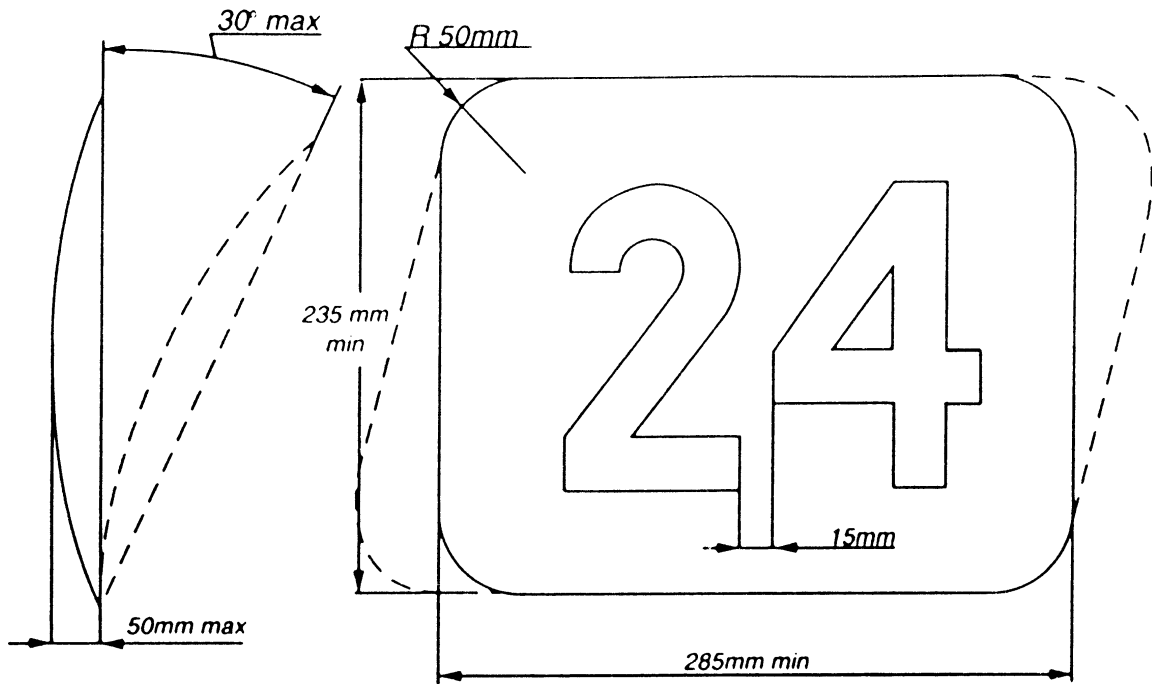


# NUMBERS / NUMEROS

O



Futura Heavy

0 1 2 3 4 5 6 7 8 9

Futura Heavy Italic

*0 1 2 3 4 5 6 7 8 9*

Univers Bold

0 1 2 3 4 5 6 7 8 9

Univers Bold Italic

*0 1 2 3 4 5 6 7 8 9*

Oliver Med.

0 1 2 3 4 5 6 7 8 9

Oliver Med. Italic

*0 1 2 3 4 5 6 7 8 9*

Franklin Gothic

0 1 2 3 4 5 6 7 8 9

Franklin Gothic Italic

*0 1 2 3 4 5 6 7 8 9*